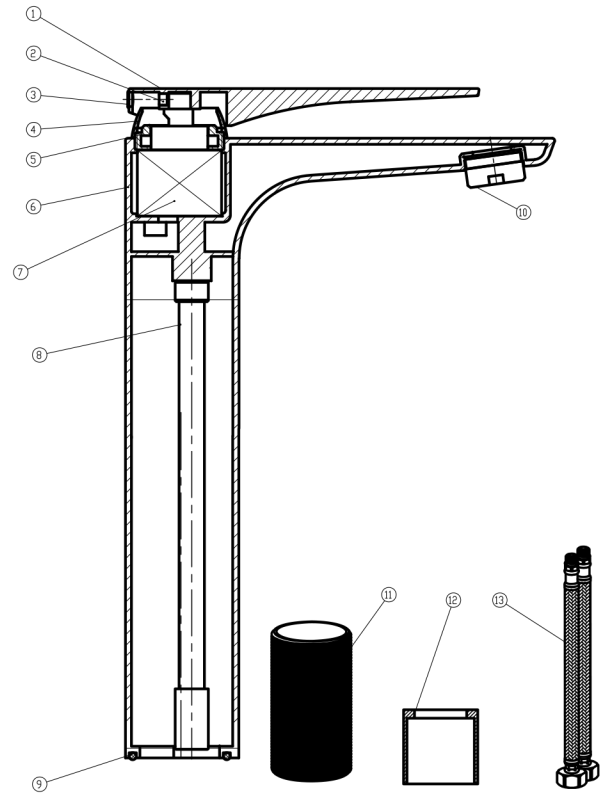




DIAGRAM NUMBER	DAX SKU	TITLE DESCRIPTION
1	Z06120301057-CW	Handle
2	T99600543017	Screw
3	T53300543017	Cap
4	T00101801017	Cover
5	T00000301007	Lock Nut
6	J00167001057-CW	Body
7	Z68010100007	Cartridge
8	T01113301017	Inlet Tub
9	T50011561007	O-Ring
10	T53703343007	Aerator
11	J00812806007	Threaded Sleeve
12	T04202401007	Fitting Set
13	Z30630000007	Water Inlet Braided Hose



For parts or sale requirements please contact our customer service department:



CS@daxib.com



1 888 685 8236

